

FRAME PACKAGE PARTS

KEY	DESCRIPTION	PART	QTY
A	SILL	A001	1
B	JAMB	A083	2
C	MAGNETIC DOOR STOP	A989	1
D	DRIP RAIL	A710	1
	DRIP RAIL SWEEP **	VS91	1
	DRIP RAIL TAPE **	HT52	1
G	MAGNETIC STRIP	H170	1

HARDWARE PARTS

H	PULL HANDLE KIT *	HSAD	
	6-32 X 1 1/4 PAN HEAD SCREW	H485	2
	EXTERIOR PULL HANDLE	HA31	1
	INTERIOR PULL HANDLE	HA32	1
I	8A X 1 1/4" PAN HEAD SCREW	H480	6
J	8A X 3/8" PAN HEAD SCREW SELF DRILL	H900	10
K	ANCHOR	H002	6
L	DRIP RAIL PLUG	HA28	1

* May be pre-installed

** Pre-installed

TOOLS NEEDED

- 1/8" Drill Bit
- 3/16" Drill Bit
- (3/16" Masonry Bit for Ceramic Tile)
- Scratch Awl
- Measuring Tape
- Hacksaw
- Phillips Screw Driver
- Caulking Compound
- File
- Drill
- Level
- Masking Tape

Before starting installation of your new enclosure, carefully read all instructions and lay out parts to become familiar with their identity.

USE OF ANCHORS • Anchors are furnished with every enclosure. However, the use of anchors is not recommended when attaching your enclosure to a fiberglass unit or wall surrounds with board reinforced mounting areas. Mounting holes in this case should be drilled with an 1/8" drill bit.

Mounting this unit on tile requires the use of anchors. Special care must be taken not to crack the tile. Before drilling holes in the tile, lightly chip glazed surface of tile at the desired locations. Drill holes using a 3/16" masonry drill bit. Insert anchors into the holes making certain that ring on large end of anchor meets the surface of the tile.

CAUTION • Do not attempt to cut mirrors or glass used in this enclosure. Tempered glass and mirror will shatter if cut.

CLEANING • Cleaning and care of your enclosure is important to its lasting beauty. A nonabrasive liquid cleaner is recommended. *Never use scouring powder or pads.*

SEALING • Seal unit by caulking along outside of enclosure where metal and bath meet, especially where sill meets threshold. If desired, caulk inside of enclosure where jambs meet walls.

Kwikstal doors are designed to be reversible and may be installed to hinge-left or hinge-right. The following instructions show a hinge-right door.

1

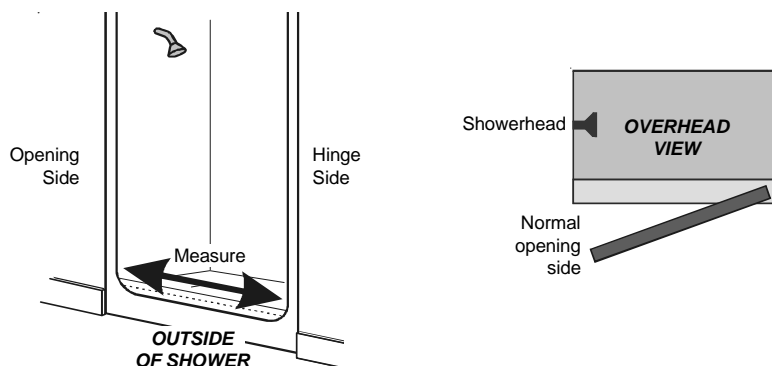
Sill (A)

Due to the manufacturing process, there may be rack marks present at one end of your sill. Sill must be trimmed to fit your individual opening. When cutting sill, make certain to trim off end with rack marks.

Before beginning installation, decide which will be the opening side of your door. Door is normally installed to open on the showerhead side of unit. For safety purposes, door should be installed to open out from shower.

Also determine placement of door on threshold. Normally door is centered on flat surface of threshold. Mark centerline on threshold.

The use of **sill (A)** is optional. If using sill, measure opening at threshold and cut sill to that measurement. If necessary, file sharp corners of sill to fit rounded corners of your unit.



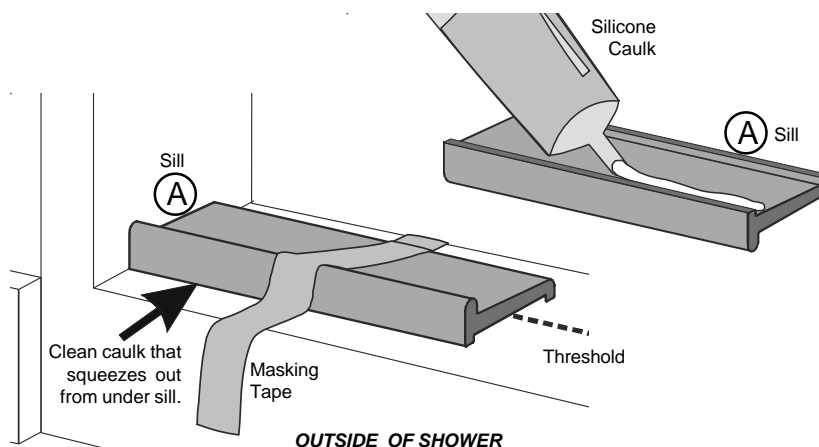
2

Sill (A)

With sill in upside down position, apply a 1/4" bead of caulk along bottom of sill.

Position sill on centerline of threshold with tall edge of sill toward outside of shower. Tape sill to threshold with masking tape to hold in place while positioning door stops.

Clean caulk that squeezes out from under sill with a wooden wedge, plastic scraper, or popsicle stick.



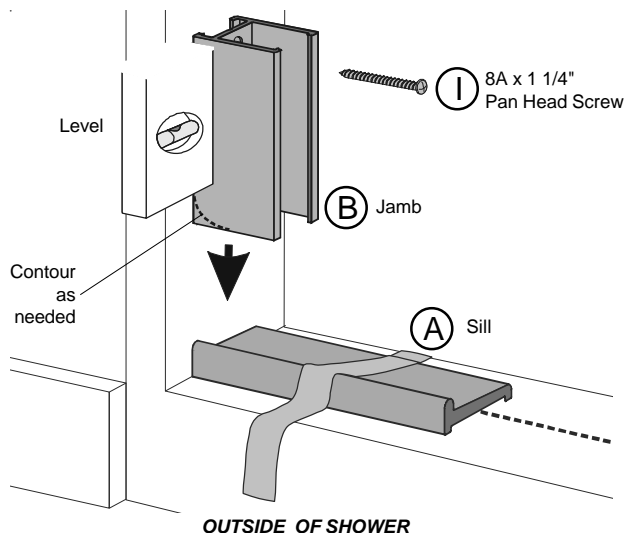
3 Jambs (B)

When anchors (K) are used holes should be drilled using 3/16" drill bit.

Place **jambs (B)** on sill with short legs against wall and bottom of jambs resting on sill. If necessary, file sharp corners on back of jambs to fit contour of your unit.

Align jambs vertically using a level. Mark wall through prepunched holes. Remove jambs and drill where marked using 1/8" drill bit.

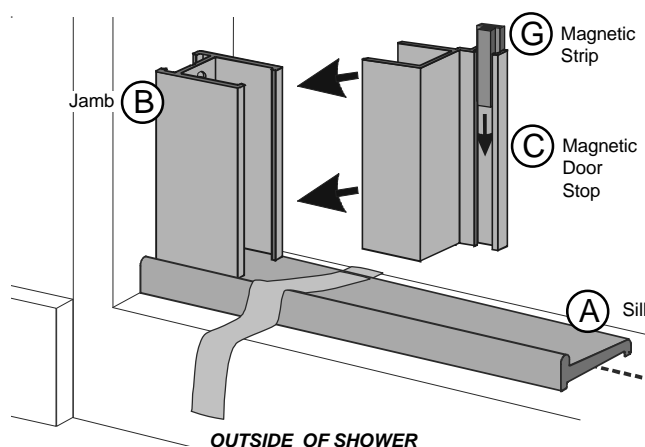
Reposition jambs on wall and secure using **8A x 1 1/4" pan head screws (I)**.



4 Magnetic Door Stop (C)

Slide **magnetic strip (G)** into slot of **magnetic door stop (C)**. Trim ends even with door stop using scissors.

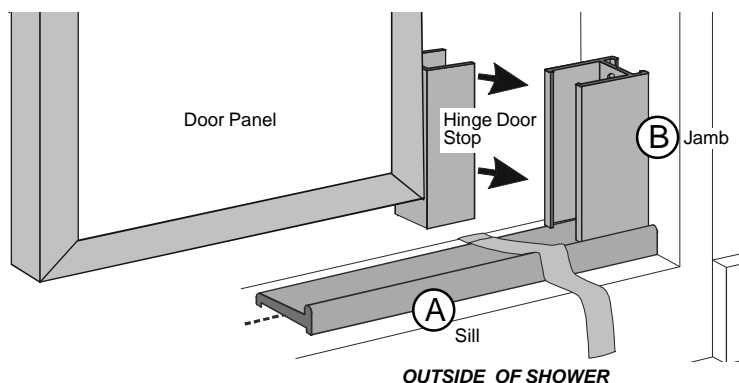
On opening side of door, position magnetic door stop over jamb with magnetic strip facing outside of shower. Bump sill slightly toward outside of shower to accommodate width of magnetic door stop leg fitting in between jamb and tall edge of sill.



5 Hinge Door Stop and Door Panel

If magnetic strips do not seal tightly, reverse polarity by removing strip from door stop and replacing it with the previous top end to the bottom end.

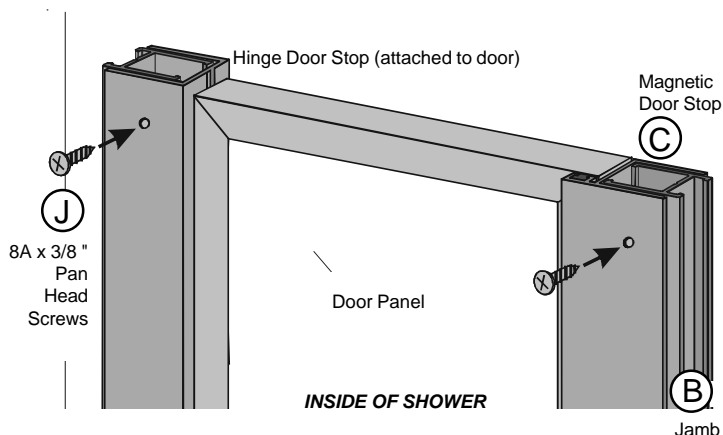
Position **hinge door stop**, which is attached to door panel, over jamb on opposite side from magnetic door stop. For safety purposes, door should be installed to open out from shower.



6 Securing Verticals

When securing door stops to jambs, do not drill through front side of jamb.

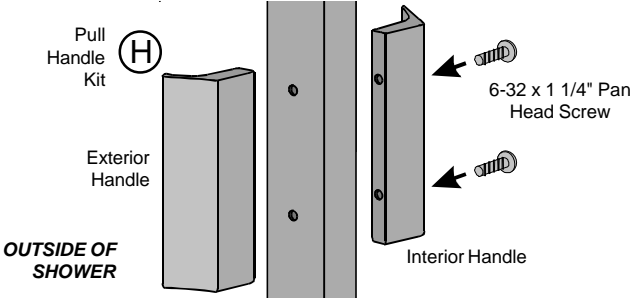
Adjust magnetic and hinge door stops until magnetic strip aligns properly on door panel and there is an even reveal of space at bottom of door. Once desired alignment of parts has been achieved, from inside of shower, drill five evenly spaced holes through hinge and magnetic door stops into leg of jambs. Secure using **8A x 3/8" pan head screws (J)**.



7 Pull Handle Kit (H)

Handle for your door may be pre-installed. If so, disregard this step and continue installation.

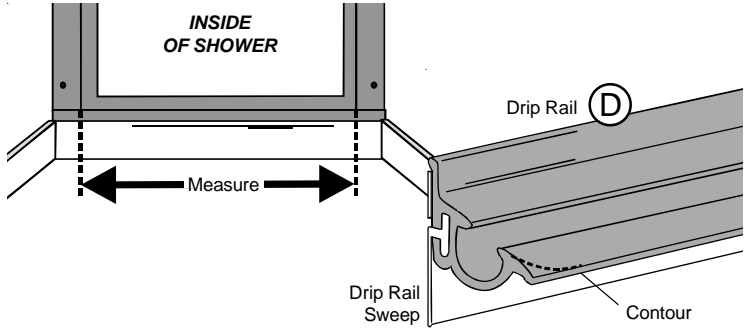
Mount **pull handles**, from **pull handle kit (H)**, using **6-32 x 1 1/4" pan head screws** provided. Screw heads should be on the inside of shower.



8 Drip Rail (D)

From inside shower, measure width of door panel at bottom. **Drip rail (D)** should be 1/2" shorter than door panel width. If longer, cut to proper length.

Slide **drip rail sweep** into slot on back of drip rail. Trim ends even with edges of drip rail. Smooth cut end of drip rail fin with a file to remove sharp point.



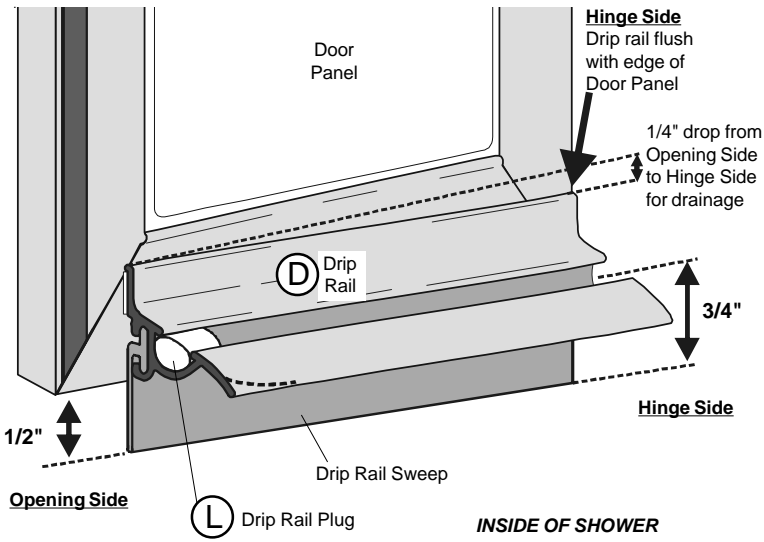
9 Drip Rail (D)

Clean bottom channel of door before mounting drip rail. After mounting, do not remove or reposition. Allow 72 hours curing time for maximum bond.

Position drip rail on inside surface of door panel as described below:

- **Side-to-side placement:** Edge of drip rail should be flush with edge of door panel on hinge side of door.
- **Vertical placement:** Drip rail sweep should extend 1/2" below bottom of door panel on **opening side**. Angle drip rail so that sweep extends 3/4" below bottom of door panel on **hinge side**. This will create an 1/4" slope from opening to hinge side for water drainage.

Mark position. Remove drip rail from door. Peel protective cover from tape, and press into place. Insert **drip rail plug (L)** into groove of drip rail on opening side of door.



Drip rail may be additionally secured using 8A x 3/8" truss head screws. When drilling in door panel, make certain drill does not hit glass. Glass is seated approximately 1/2" into channel.

10 Caulking

The use of a caulking compound will assure a water-tight seal of your enclosure. Apply caulk along outside edge of enclosure where metal and shower meet, especially where sill meets threshold. If desired, caulk inside of enclosure where jambs meet walls.

Caulk joint on sill where magnetic door stop and sill meet. On opposite side, caulk where hinge door stop and sill meet.

